

## Metran-681 HART Modem

OKP code: 42 1821



- Supports up to 15 devices connected to a single line
- Supply: PC serial port
- Intrinsically safe version:
  - Explosion protection type "intrinsically safe electric circuit";
  - Explosion protection marking: ExiallCT6X
- Modem is not a measuring device

Metran-681 HART Modem (further Modem) is designed to link PC or DPCS system means with Metran-100 Smart Pressure Transmitters, Metran-280 and -3051 Smart Temperature Transmitters and other HART devices.

It provides high reliability of data transfer. It is used with H-Master software or any other software for HART smart devices (AMS, Visual Instrument, etc.).

**BASIC SPECIFICATIONS AND PARAMETERS**

- HART signal sine-wave amplitude, frequency: 1200 or 2200 Hz, (0.3±0.1) V
- Input modem impedance (HART-input), min: 1100 Ohm
- Output modem impedance (HART-output), min: 700 Ohm
- The Modem detects HART signal at amplitude over 120 mV and does not respond to HART-signal at less than 80 mV amplitude
- Insulation between input circuits (HART input) and output circuits (RS232 output) withstands ac test voltage of 1500 V
- Electrical insulation resistance between input and output modem circuits under normal climatic conditions is no less than 40 MOhm
- Modem climatic type corresponds to UHL 3.1 per GOST 15150, but for operation at 0 to 50°C of ambient temperature and 90% of relative humidity at 35°C without moisture condensation.
- Modem stability to mechanical effects: vibration-proof version V1 per GOST 12997
- Modem keeps operable state, provides faultless data exchange between PCs and transmitter under variable magnetic field with frequency of 50 Hz and up to 400 A/m intensity
- Dust and water tightness: IP30 per GOST 14254
- Modem supply: serial PC port
- Overall dimensions: 22.5x75x120 mm
- Weight, max: 0.15 kg

**MODEM DESIGN AND CONNECTION**

Metran-681 HART Modem is in a plastic housing for DIN rail mounting (DIN-30).

Modem connection to PC is performed with DB9-DB9 connecting cable, included into the delivery set. Wires from transmitter (HART output) are connected to terminal block and fixed by a screw.

**RELIABILITY**

Average service life: 12 years  
 Mean time between failures: 50000 h.

**WARRANTY**

Warranty period: 18 months from the date of commissioning.

**DELIVERY SET**

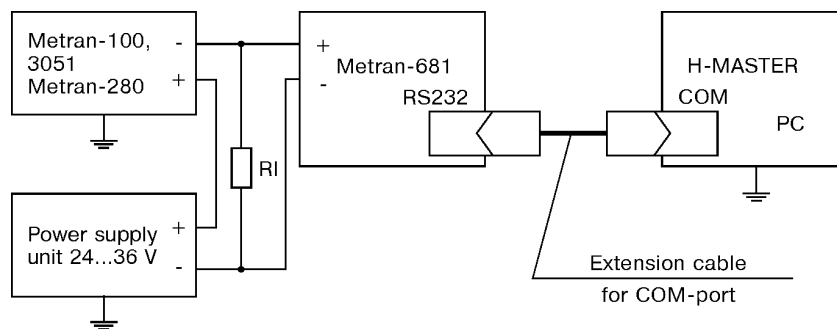
- |                                       |        |
|---------------------------------------|--------|
| 1. Metran-681HART Modem               | 1 unit |
| 2. Product Data Sheet 681.01.00000 PS | 1 copy |
| 3. DB9-DB9 Connecting Cable           | 1 unit |
| 4. Wire with Clips                    | 1 set  |

**ORDERING INFORMATION**

<b>Metran-681 - 01 - Ex - TU 4218-041-12580824-2002</b>			
1	2	3	4

1. Type.
2. DIN rail mounting style.
3. Explosion-proof version.
4. Specification.

**EXTERNAL WIRING DIAGRAM**



PC - Personal Computer,  
 RI - Load Resistance (displaying, registering device, etc.).