

## Metran-602, -604, -608 Power Supply

OKP code: 4218



- **Number of channels: 2, 4, 8**
- **Channels are galvanically isolated**
- **Each channel has an electric protection circuit from overcurrent and short circuit**
- **On/off LED indication for each channel**
- **Power Supply for DIN rail mounting are made per DIN 43700 Euronorm**
- **Panel-mounted Power Supply replaces BPD-40, 2000P, Karat-22 Power Supply as per functions and design.**

Metran-602, -604, -608 Power Supply Units are designed to convert 220V network voltage into stabilized 24 or 36 V voltage, and to supply unified output transmitters:

- Metran Series pressure transmitters (and others);
- Metran-270, Metran-270MP, Metran-280 and other temperature transmitters.

## SPECIFICATIONS

- Number of Channels:
  - 2 for Metran-602-01, Metran-602-DIN;
  - 4 for Metran-604-01, Metran-604-DIN;
  - 8 for Metran-608-01K, Metran-608-DIN
- Mounting:
  - Panel:** for Metran-602-01, Metran-604-01, Metran-608 (-602, -604)-01K;
  - DIN bus** for Metran-602-DIN, Metran-604-DIN, Metran-608-DIN
- Output Voltage:
  - 24 V
  - 36 V
- Output voltage stabilization class: **0.2**
- Max load current for each channel, protection actuating current, short circuit current are given in Table 1
- Output voltage pulse, max:  $\pm 0.1\%$  from rated voltage value
- Output voltage change from its rated value at:
  - Network voltage change by  $\pm 10\%$ , max:  $\pm 0.1\%$ ;
  - Load current change from zero to max, max:  $\pm 0.1\%$
- Supply: ac voltage  $220\left(\begin{smallmatrix} +22 \\ -33 \end{smallmatrix}\right)$  V, frequency:  $(50\pm 1)$  Hz
- Power consumption of power supply is given in Table 1
- Weight, kg, max:
  - 0.6 kg for Metran-602-01, Metran-602-DIN;
  - 0.75 kg for Metran-604-01, Metran-604-DIN;
  - 1.1 kg for Metran-608

Table 1

Type and Version	Output Voltage, V	Number of Galvanically Isolated Channels	Max Load Current to Each Channel, mA	Protection Actuating Current, mA	Short Circuit Current, mA	Mounting	Power Consumption VA	
Metran-602-036-50-01	36	2	50	75	45	Panel	8	
Metran-602-036-80-01			80	120			30	9
Metran-602-036-100-01			100	140				11
Metran-602-036-120-01			120	160			13.2	
Metran-602-024-50-01	24	2	50	75	45		6	
Metran-602-024-80-01			80	120			30	9.5
Metran-602-024-100-01			100	140				8.5
Metran-602-024-120-01			120	160			10	
Metran-604-036-50-01	36	4	50	75	45		11	
Metran-604-036-80-01			80	120			30	19
Metran-604-024-50-01	24	4	50	75	45		8	
Metran-604-024-80-01			80	120			30	13.5
Metran-604-024-100-01			100	140				16
Metran-608-036-50-01	36	8	50	75	40		25	
Metran-608-024-50-01	24						18	
Metran-602-036-25-DIN	36	2	25	50	15		DIN bus	4.5
Metran-602-036-50-DIN			50	75	30	7.5		
Metran-602-036-80-DIN			80	120		12		
Metran-602-036-100-DIN			100	140		12.5		
Metran-602-036-120-DIN			120	160		13.5		
Metran-602-024-25-DIN	24	2	25	50	15	3.5		
Metran-602-024-50-DIN			50	75	30	6		
Metran-602-024-80-DIN			80	120		8		
Metran-602-024-100-DIN			100	140		10		
Metran-602-024-120-DIN			120	160		13		
Metran-604-036-25-DIN	36	4	25	50	15	4.5		
Metran-604-036-50-DIN			50	75	30	14		
Metran-604-036-80-DIN			80	120		23		
Metran-604-024-25-DIN	24	4	25	50	15	5		
Metran-604-024-50-DIN			50	75	30	8.5		
Metran-604-024-80-DIN			80	120		17		
Metran-604-024-100-DIN			100	140		15.5		
Metran-604-024-120-DIN			120	160		16.5		
Metran-608-036-45-DIN	36	8	45	60	40	25		
Metran-608-024-45-DIN	24					18		

**DESIGN AND OPERATING PRINCIPLE**

Metran-602, -604, -608 Power Supply consists of network transformer and 2 (4 or 8 acc. to type) independent channels; each of them has a stabilizer and electronic protection diagram.

Electronic protection diagram is designed to protect Power Supply from overcurrent and short circuit.

The Power Supply automatically returns to operation mode after load short circuit elimination.

2 (4 or 8) on/off LEDs are placed on the front panel of the Power Supply.

**CLIMATIC TYPE**

Type: UHL 3 class per GOST 15150 (S3 group per GOST 12997), for operation at -10 to 50°C of ambient temperature and 45 to 80% of relative humidity within entire operating temperature range, or T3 per GOST 15150.

Dust and water tightness: IP30 per GOST 14254.

**DELIVERY SET**

- Metran-602 (Metran-604, -608) Power Supply 1unit
- Product Data Sheet, Operation Manual 1copy
- Socket 2RMT 14KPN4G1V1\* 1unit
- DIN rail NS35/7.5\*\* m (length optional)

\* Supplied for panel-mounted Power Supply Units.

\*\* Supplied for rail-mounted Power Supply Units.

**RELIABILITY**

Mean time between failures: 120 000 h.

Average service life: 12 years.

**WARRANTY**

Warranty period: 18 months from the date of commissioning.

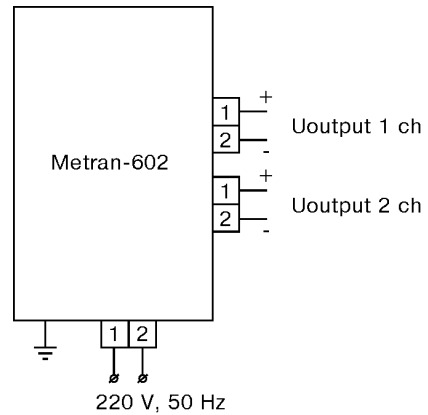
**ORDERING INFORMATION**

<b>Metran-602</b>	-	<b>036</b>	-	<b>50</b>	-	<b>01</b>	-	<b>TU...</b>
<b>Metran-604</b>	-	<b>024</b>	-	<b>80</b>	-	<b>DIN</b>	-	<b>T3 - TU...</b>
<b>Metran-608</b>	-	<b>024</b>	-	<b>50</b>	-	<b>01K</b>	-	<b>TU...</b>
		1		2		3		4
								5
								6

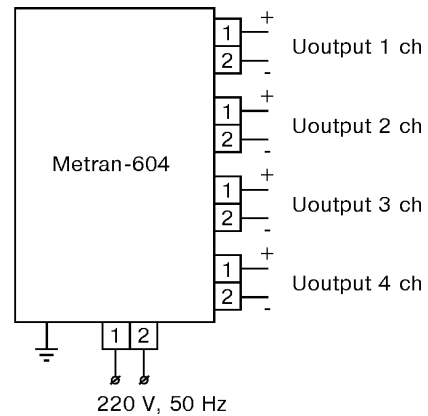
1. Power Supply type:
  - Metran-602** 2 channels
  - Metran-604** 4 channels
  - Metran-608** 8 channels
2. Code of rated output voltage value:
  - 036** 36 V
  - 024** 24 V
3. Max load current for each channel, see Table 1 (for Metran-608 - load current 50 mA - panel, 45 mA - DIN).
4. Mounting:
  - 01** - panel mounting (for 2- and 4-channel version only);
  - 01K** - panel mounting (for 8-channel version, for 2- and 4-channel version with 76x170 front panel);
  - DIN** - DIN-rail mounting
5. Tropical type (optional)
6. Specification TU 4276-001-2160758-2002.

**WIRING DIAGRAMS**

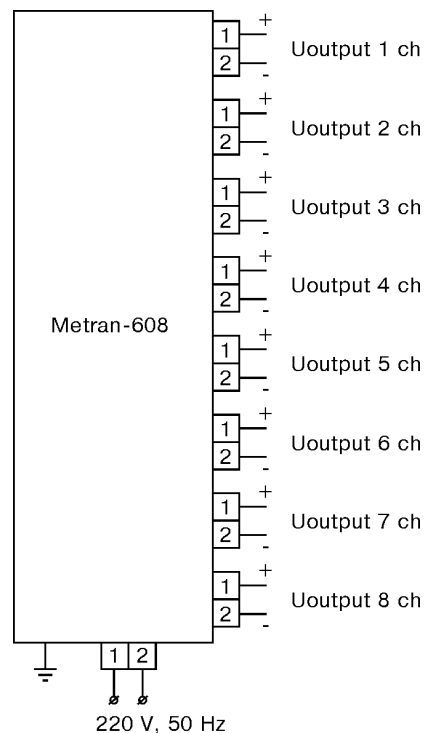
**Metran-602**



**Metran-604**

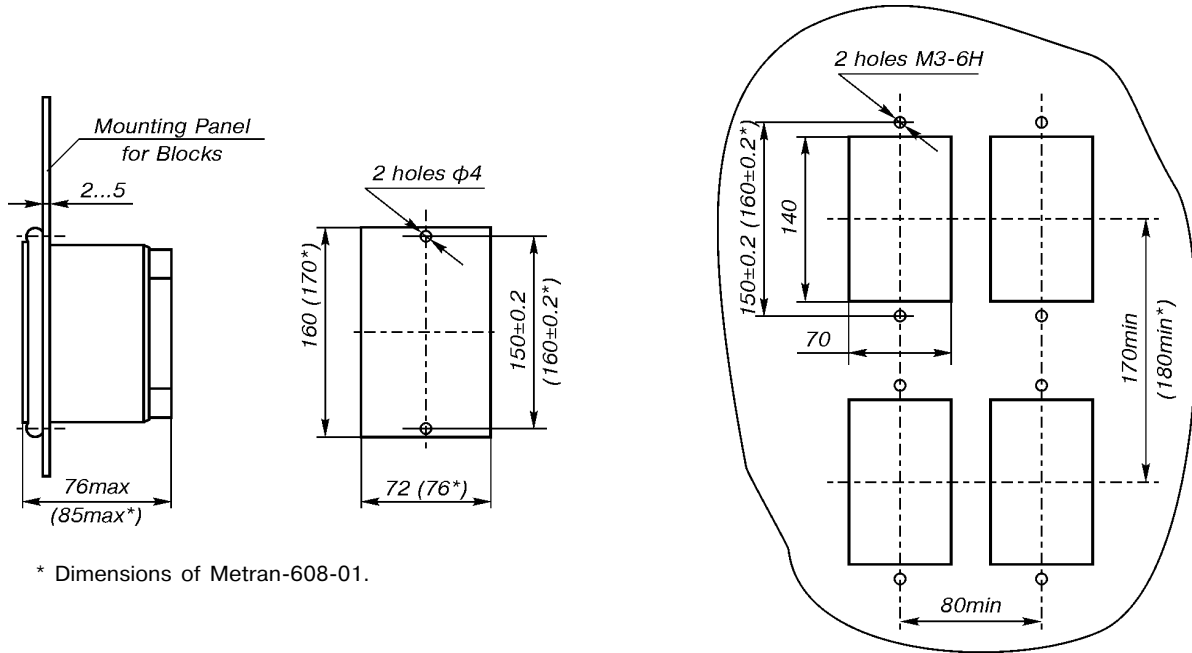


**Metran-608**



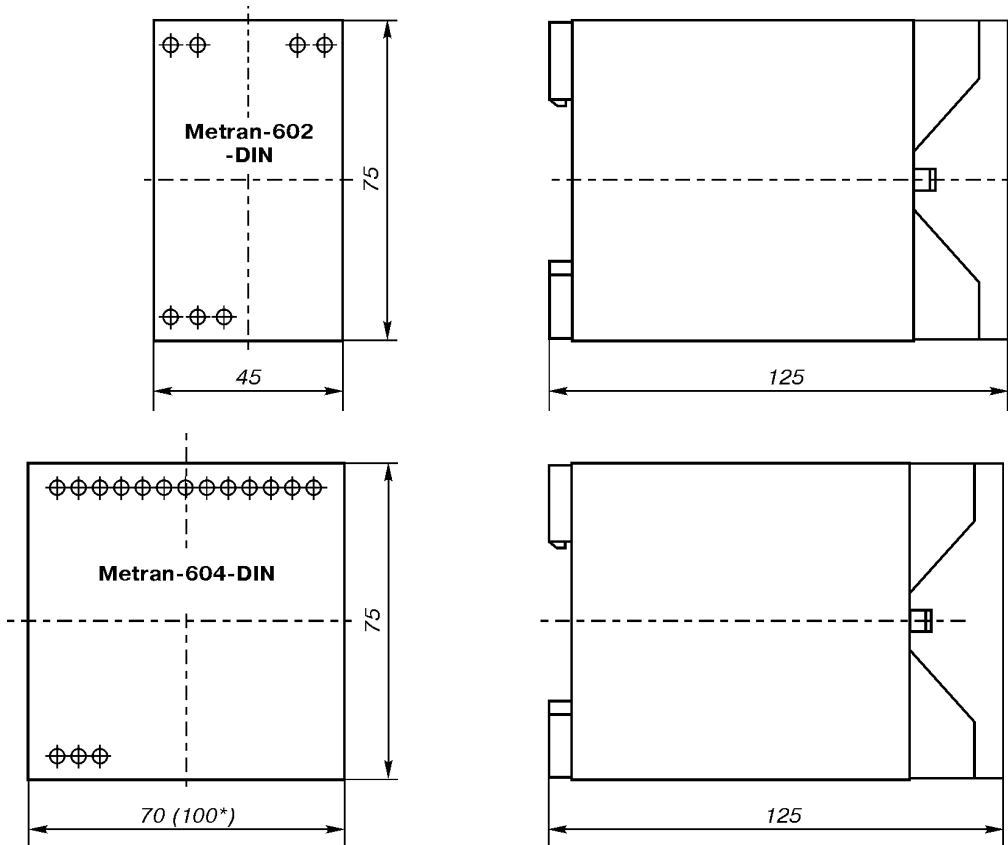
**OVERALL AND MOUNTING DIMENSIONS**

**Metran-602-01, -604-01, -608-01**



\* Dimensions of Metran-608-01.

**Metran-602-DIN, -604-DIN, -608-DIN**



\* Dimensions of Metran-608-DIN.

**Note!** Metran-602 (2-channel) and Metran-604 (4-channel) Power Supply Units are available with front panel dimensions similar to 8-channel version: 76x170 mm (dimensions are similar to front panel dimensions of Karat-22 Power Supply Units and are offered for replacement in panels installed).