

# Modeling and research multiphases signal transducers of power control systems

I.Kh.Siddikov  
TUIT named after Muhammad  
al-Khwarizmi  
Tashkent, Uzbekistan  
ikhsiddikov@mail.ru

A.A.Abdumalikov  
TUIT named after Muhammad  
al-Khwarizmi  
Tashkent, Uzbekistan  
akmalabdumalikov6@gmail.com

M.T.Makhsudov  
Andijan Mashinobuilding Institute  
Andijan, Uzbekistan  
mohirbek2702@mail.ru

**Abstract**—Presented model and results of research of transforming processes, which flowing in converting elements and circuits of transducer of primary multiphases electrical current to secondary signal. Modeling and research of main characteristics of primary measure transducers of multiphase primary electrical currents of power energy to secondary signal based to graph model with high formalized, effectively and digital-based cloud computing technology.

**Keywords**— transforming processes, multiphases transducer, primary electrical current, secondary signal, current, graph model, characteristics.

## I. INTRODUCTION

The main characteristics of transducers, which of transforming primary currents for power systems (PS), to secondary signal – signals, which need for control of PS classically recommending on the basis of modern analytical models and computing technologies [1-3].

The structure of a typical model of measuring systems with primary transducers of multiphases currents of power energy is given in fig. 1.

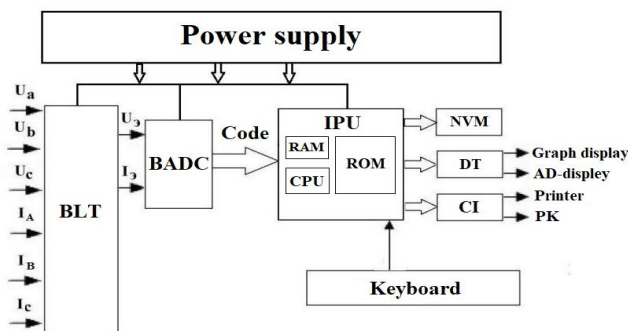


Fig. 1. Model of structure of multiphases signal nets of power control systems.

The structure of control units:

BLT - a block of large-scale transformations;  
BADC - block of analog-to-digital converter;  
IPU - information processing unit;  
RAM - random access memory;  
CPU - central processing unit;  
ROM - read-only memory;  
NVM - non-volatile memory;  
DT - display tool;  
CI - communication interface;  
AD - alphanumeric display.

The measured voltages and currents are supplied to input terminals of the block of scale transducers, in which, by

analog processing, signals proportional to parameters of output voltage are formed, i.e., scale transformations occur to level (approximately 5 V) necessary [4-10].

Control and monitoring of multiphase's electrical currents of PS on the base of multiphase currents transducers provides transformation of electricity measuring values-signal and have possible to use different physical and technical effects [3-5].

Research of main characteristics of multiphase's currents transducers required to determine relations between  $I_e$  – input multiphase currents of PS and output signal - electrical voltages  $U_{eout}$  on the basis of  $S_{se}$  – sensitive elements parameters, magnetic flux -  $Q_m$  and number of secondary windings  $w_{se}$  which depend from geometric parameters of magnetics materials, sensitive elements of transducers and values of their ranges [6-8].

The multiphases primary currents of PS, flowing through primary windings of transducers, generate magnetic fluxes in magnetic cores, which flows through sensitive elements - secondary windings. The transducers of controlling and adjusting multiphase primary currents of PS transform a secondary signal depend from magnetic fluxes and submit output values - electrical signals [7-12].

The sensitive elements of multiphase's transducers of PS are designed and insulated as sheets and produce normalized signal with quantities up to 20 V [13-14].

## II. METHODOLOGY

The analytical method of research of multiphase's current transducers based on graph model describe operational quantities and parameters of transducers, complex of physical and technical processes occurring, as well as adjusting conditions of PS [11-18].

Graph model of the signal transforming process in multiphases transducers of primary current of power nets given in fig. 2.

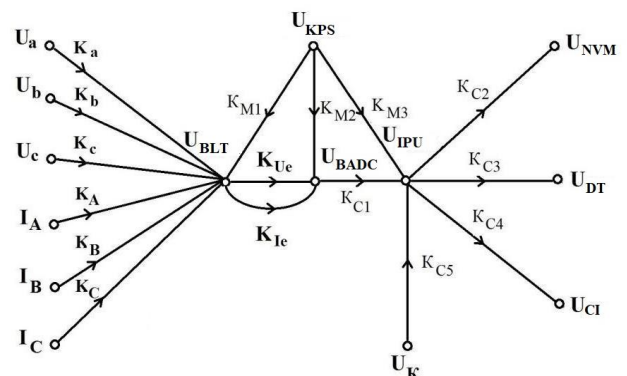


Fig. 2. Graph model of the signal transforming process.

The analytical equations of the output voltages on the transducers structure based on location of multiphase primary current fluxes, shape of magnetic flux's and a type of transducers, a number of rolls and transforming parameters and formed as follows [14-18]:

$$U_{eouta}(t) = -R_{ese1}I_{eouta}(t) - \frac{L_{ese1}dI_{eouta}(t)}{dt} + \frac{w_{se2}dQ_B(t)}{dt} + \frac{w_{se3}dQ_C(t)}{dt}, \quad (1)$$

$$U_{eoutb}(t) = -R_{ese1}I_{eoutb}(t) - \frac{L_{ese2}dI_{eoutb}(t)}{dt} + \frac{w_{se1}dQ_A(t)}{dt} + \frac{w_{se3}dQ_C(t)}{dt}, \quad (2)$$

$$U_{eoutc}(t) = -R_{ese1}I_{eoutc}(t) - \frac{L_{ese3}dI_{eoutc}(t)}{dt} + \frac{w_{se1}dQ_A(t)}{dt} + \frac{w_{se2}dQ_B(t)}{dt}, \quad (3)$$

here:  $R_{ese1}$ ,  $R_{ese2}$ ,  $R_{ese3}$ ,  $L_{ese1}$ ,  $L_{ese2}$ ,  $L_{ese3}$  – active resistance and inductance of transducers;

$w_{se1}$ ,  $w_{se2}$ ,  $w_{se3}$  - number of windings of sensitively elements;

When electrical inductance of PS are  $L_{EI} = L_{EII} = L_{EIII} = 0$ , nets will an increase in initial value of multiphase currents, then magnetic fluxes will attain a steady-state sinusoidal value [4,8].

A reliable assessment of electric power quality indicators (PQI) in the nets and the development of effective measures aimed at ensuring electric power quality are impossible without instrumental control. To carry out such control, specialized measuring instruments (SMI) are required. Intensive development of microprocessor technology has allowed domestic developers to create multifunctional SMI, designed to control and analyze the quality of electricity [13].

The only condition when choosing a SMI is that all means must comply with the requirements of GOST 13109-97 [3]. In part regarding the measurement and control algorithms of the PQI and the permissible measurement errors. The list of measured PQI is established by GOST 13109-97, but can be expanded depending on the tasks to be solved.

### III. RESULTS

The static characteristics between current and the sensor output signal, shown in figures 3.a and 3.b.

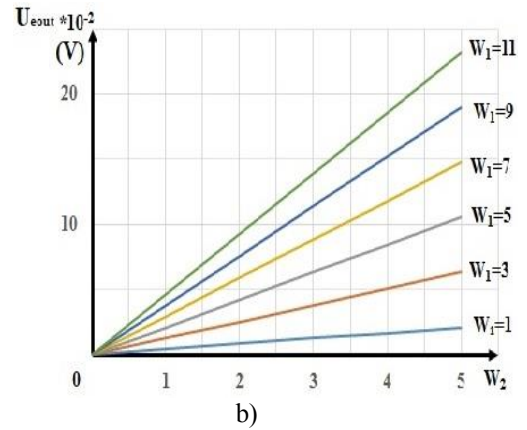
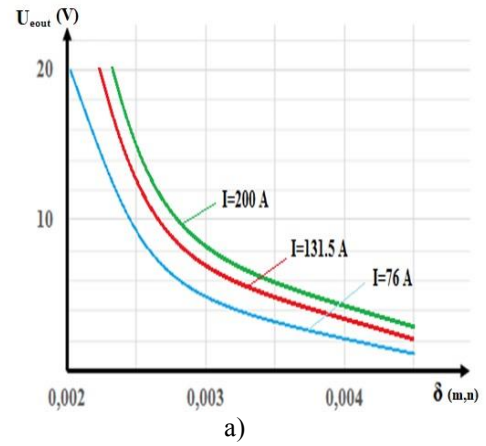


Fig.3. Influence of sensor parameters on output voltage. a) effect of airspace; b) effect of the number of primary windings.

The dynamic characteristics between current and the sensor output signal of multiphases current transducers of power nets, shown in fig.3.

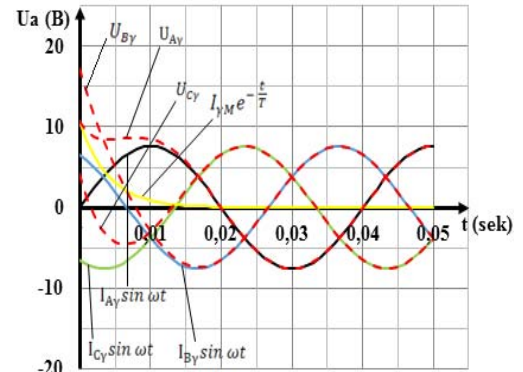


Fig. 4. The dynamic characteristics of transducers of multiphase currents.

### IV. ERROR ANALYSIS

The Metrological characteristics of sensors of multiphase primary currents of PS to secondary signal based on static characteristics and illustrated in fig.4, as shown in characteristic, accuracy, linearity of output characteristics, identical sensitivity among in range of change [14-18]:

$$I_{A\gamma} = 38A; U'_{a\gamma} = 10V; U''_{a\gamma} = 10,18V; \quad (4)$$

$$\Delta = \frac{(U''_{ay} - U'_{ay})}{U'_{ay}} * 100\% = \frac{(10,18 - 10)}{10} * 100\% = 1,8\%; \quad (5)$$

$$\Delta = \frac{(U''_{ay} - U'_{ay})}{U'_{ay}} * 100\% = \frac{(20,37 - 20)}{20} * 100\% = 1,81\%; \quad (6)$$

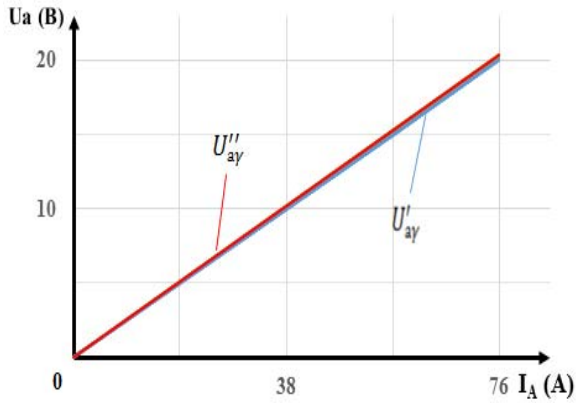


Fig. 5. The static characteristics of multiphases signal transducers.

here:

$U'$  - output voltage from collected parameters graph model;

$U''$  - output voltage from distributed parameters graph model.

In the multiphase primary currents transducers have a sources of errors are various factors - temperature, humidity, external magnetic fields,  $\omega_e$  - frequency,  $W[I_{ein}, F_{\mu}]$ - correlation coefficients of different nature change values, physical parameters of excitation materials conductors of current, affected and other factors effects, which influence to as multiphase primary currents -  $I_{ein}$  and also to secondary voltage -  $U_{eout}$  [16].

Research of accumulated errors of transducers of multiphase primary currents of PS consist: input magnetic transform part, i.e. primary currents transform to m.m.f.  $F_{\mu}$ , i.e.  $I_e \rightarrow F_{\mu}$ , in this case transformation errors is  $\delta_1 = 0,15$  ( $\pm 0.15\%$  deviation from the nominal value of electrical and magnetic values due to elements of transforming - conductors and magnetic core [14]).

Due to distribute parameters of transforming of m.m.f.  $F_{\mu}$  of magnetic fluxes  $Q_{\mu}$ , errors consist  $\delta_2 = 0,15$ , and determine on the base deviation of magnitudes and thresholds  $\pm 0.15\%$  from nominal value, based on the scattering of the parameters and due to transform errors of  $Q_{\mu}$  - magnetic fluxes to  $U_{eout}$  - output signal, i.e.  $Q_{\mu} \rightarrow U_{eout}$  [22]:

$$\delta_{\Sigma} = \sqrt{\delta_1^2 + \delta_2^2 + \delta_3^2} = \sqrt{0,15^2 + 0,15^2 + 0,1^2} = 0,18 \quad (7)$$

The value of entropy of error for investigated transducer determined as [15]:

$$\Delta = K_e \delta_{\Sigma} = 2,07 \times 0,18 = 0,38$$

As taken from result of calculations and experiments, the multiphases currents transducers of PS to electrical signal is  $\Delta = 0.38$ , i.e  $\pm 0.38\%$ .

The accuracy for this type of multiphase primary current transducers determined as 0.5, which is  $\pm 0.5\%$  on nominale currents of PS.

## V. CONCLUSION

1. The graph model of transforming processes of transducers of multiphase current of power transmission nets is adequate to the experimental design of transducers and shown a construction and processes of transforming electrical and magnetic quantities and parameters and can be increased by 1.8% on the basis of graph model with distributed parameters.

2. The graph model of multiphases transducers and analytical equations for research of main characteristics of primary transducers based on highly formalized and transparent physical and technical effects, with structure involved in transforming process, have high possibilities during research main characteristics of transducers with collected and distributed parameters.

3. On the basis of static and dynamic diagrams of multiphase currents transducers, which depend of magnitude and parameters of magnetic fluxes and output signal, may be concluded, that a multiphase's currents, which flowing in transforming circuits of transforming elements, flowing from nets PS output signal stabilizes at inertial of loads is  $T = 0.02$  during 0.008 - 0.012 sec. after connection of primary currents to power transforming net of PS.

## REFERENCES

- [1] I.Kh.Siddikov, Kh.A.Sattarov., A.B.Abubakirov., M.A.Anarbaev., I.M.Khonturaev., M.Maxsudov. Research of transforming circuits of electromagnets transducers with distributed parameters, 10th International Symposium on intelgent Manufacturing and Service Systems.9-11 September 2019. Sakarya.Turkey. c. 831-837.
- [2] I.Kh.Siddikov, A.B.Abubakirov, K.M.Najmiddinov, A.J. Yesenbekov Three-phase electromagnetic asymmetry converters with advanced functionality, Bulletin KB ASRUz (KCOANRUz). No2. Nukus, Uzbekistan. 2017. 66-68 p.
- [3] I.Kh.Siddikov. The Electromagnetic Transducers of Asymmetry of Three-phases Electrical Currents to Voltage. Universal Journal of Electrical and Electronic Engineering. Horizon Research Publishing Corporation USA. 2015, Vol.3, N5,-p.146-148. <http://www.hrpub.org>
- [4] I.Kh. Siddikov, A.B.Abubakirov, A.A. Yuldashev, G.Z. Babaxova, I.M. Xonturaev, N.N. Mirzoev. «Methodology of calculation of techno-economic indices of application of sources of reactive power». European science review, Scientific journal. No 1-2. Austria, Vienna. 2018. 248-251 p.
- [5] I.Petrova, V. Zaripova, Yu. Lezhnina, I.Kh.Siddikov. Automated system for synthesis of transducers for smart cities. XXII International Scientific Conference on Advanced In Civil Engineering "CONSTRUCTION THE FORMATION OF LIVING ENVIRONMENT", Tashkent, Uzbekistan, 18-21 April, 2019 E3S Web of Conferences eISSN: 2267-1242. <https://www.scopus.com/record/display.uri?eid=2-s2.0-85067281218&origin=resultslist>
- [6] R.K.Azimov, A.A.Choriev, Sh.A.Khimmatkulov, O.X. Saidakbarov. Information - probability methods for estimating errors of transducers of various quantities. STANDARD No3. Tashkent, Uzbekistan: 2010. 29-31 p.
- [7] S.F.Amirov, A.M.Safarov, Khusbokov B.X. Current converters for secondary electrical energy systems// Current conditions and

prespectives for the development of energy. Abstract of reports. International scientific and technical conference. December 18 – 20, 2006. Tashkent, Uzbekistan. 2006. 206-208 p.

- [8] I.Kh.Siddikov, Kh.E.Khujamatov. The principle of desing of electromagnetic transducers of one, three and multi-phases current of electrical nets to secondary voltage. Материалы XII МНТК «Перспективы развития строительного комплекса: образование, наука, бизнес» г.Астрахань, 10–11 октября 2018 г.с.350-353. <http://aracy.pf/nauka222/7646-xii-mezhdunarodnaya-nauchno-prakticheskaya-konferentsiya-perspektivy-sotsialno-ekonomicheskogo-razvitiya-stran-i-regionov.html>.
- [9] M.F. Zaripov, N.R. Zaynullin, I.Yu. Petrova. Graph method of scientific and technical creativity. Moscow: VNIPI GKNT, 1988. 124 p.
- [10] M.F. Zaripov, I.Yu. Petrova. Subject-oriented environment for searching new technical solutions for «Intellect». St. Petersburg International Conference. «RI-95»: Abstract of reports. St. Petersburg, 1995. 60-61 p.
- [11] Patent of RUz. №04185. Three-phase current asymmetry converter to voltage/Amirov S.F., Azimov R.K., Siddikov I.Kh., Khakimov M.Kh., Khushbokov B.Kh., Sattarov Kh.A. Official newsletter. 2010.
- [12] DGU No.20191450. Software for the study of the dinamic characteristics of three-phase three-transducers converters with distributed parameters. Siddikov I.Kh., Abdumalikov A.A., Mazudov M.T., Sobirov M.A., Abubakirov A.B., Anarboyev M.A. 2019.
- [13] DGU No. 20190482. Algorithm and software for calculating the occupancy period for introducing reactive power sources in power supply systems. Siddikov I.Kh., Abubakirov A.B., Khuzhamatov H.E., Khasanov D.T., Anarbaev M.A. 18.04.2019.
- [14] DGU No. N 20190478. Algorithm and software for reducing losses of electric energy in a power transformer. Siddikov I.Kh., Abubakirov A.B., Khuzhamatov H.E., Khasanov D.T. 2019.
- [15] I.Kh.Siddikov, Kh.A.Sattarov, Kh.E.Khujamatov, O.R.Dexkhonov, M.R.Agzamova Modelling of Magnet Circuits of Electromagnetic Transducers of the Three-Phases Current.Collection of the materials.14th International Scientific Technical Conference On Actual Problems Of Electronic Instrument Engineering (APEIE-2018)"- 44894 Proceedings, V.1, P.5, 2-6 October, 2018. –p.p. 419-42, <https://www.scopus.com/authid/detail.uri?authorId=56230037700>
- [16] I.Kh.Siddikov, Kh.A.Sattarov, Kh.E.Khujamatov Modeling of the elements and devices of energy control systems // Materials of the XII MNTK "Prospects for the development of the building complex: education, science, business" Astrakhan, October 10–11, 2018. 348-349 p.
- [17] I.Kh.Siddikov., Kh.Sattarov., M.Anarbaev., G.Axmedova. Modeling and research of transformation of the three-phases primary current in electrical equipment of control systems // 10th International Symposium on Intelligent Manufacturing and Service Systems Industry 4.0/5.0: Future Minds and Future Society, Sakarya University - Sakarya/Turkey 9-11 September 2019. P.340-346. [file:///C:/Users/User/Downloads/IMSS2019\\_Proceedings\\_Book%20\(3\).pdf](file:///C:/Users/User/Downloads/IMSS2019_Proceedings_Book%20(3).pdf)
- [18] I.Kh.Siddikov, Kh.Sattarov, A.Abubakirov, M.Anarbaev, I.Khonturaev, M.Makhsudov. Research of transforming circuits of electromagnets transducers with distributed parameters // 10th International Symposium on Intelligent Manufacturing and S ervice Systems Industry 4.0/5.0: Future Minds and Future Society, Sakarya University-Sakarya/Turkey 9-11 September2019.p.831-837. [file:///C:/Users/User/Downloads/IMSS2019\\_Proceedings\\_Book%20\(3\).pdf](file:///C:/Users/User/Downloads/IMSS2019_Proceedings_Book%20(3).pdf)
- [19] I.Kh.Siddikov, Kh.E. Khuzhamatov, D.T.Khasanov, Sh.B Olimova., Kh.S. Khasanov. Telecommunications tizimlari hybrid energy taminoti manbalarini masofali monitoring wa bosharuwi // Scientific-practical and informational-analytical technical magazine “Muhammad al-Xorazmiy avlodlari TUIT” Tashkent, 2019. №3(9). C.55-59.
- [20] I.Kh.Siddikov, Kh.A.Sattarov, Kh. Khujamatov., I.Xonturaev, Maksudov M., Najmatdinov K., Abubakirov A., Bojanic Slobodan. Modeling of magnetic circuits of electromagnetic transducers of the three-phases current // Materials of the XII MNTK "Prospects for the development of the building complex: education, science, business". Astrakhan, October 10–11. 2018. 331-336 p. <http://aracy.pf/nauka222/7646-xii-mezhdunarodnaya-nauchno-prakticheskaya-konferentsiya-perspektivy-sotsialno-ekonomicheskogo-razvitiya-stran-i-regionov.html>
- [21] I.Kh.Siddikov, M.A.Anarbaev, M.T. Makhsudov. Signal converters of current magnitude for control systems of reactive power sources // Scientific and technical journal "Engineering and Construction Journal of the Prikaspiya» (ISSN:2312-3702). <http://aracy.pf/journal/isvp/1-23-2018/informacionnye-sistemy-i-tekhnologii-3>
- [22] I.Kh.Siddikov, H.A.Sattarov, H.E. Khuzhamatov. Algorithms and methods for calculating the technological consumption of electricity during its transportation through electric networks and compensation of reactive power // Materials of XII MNTK “Prospects for the development of the building complex: education, science, business”, Astrakhan, October 10–11. 2018. 341-347 p. <http://aracy.pf/nauka222/7646-xii-mezhdunarodnaya-nauchno-prakticheskaya-konferentsiya-perspektivy-sotsialno-ekonomicheskogo-razvitiya-stran-i-regionov.html>